



# *Ariel*<sup>®</sup> *Casement & Awning Windows*

## REPLACEMENT PARTS CATALOG

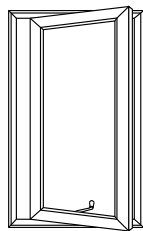
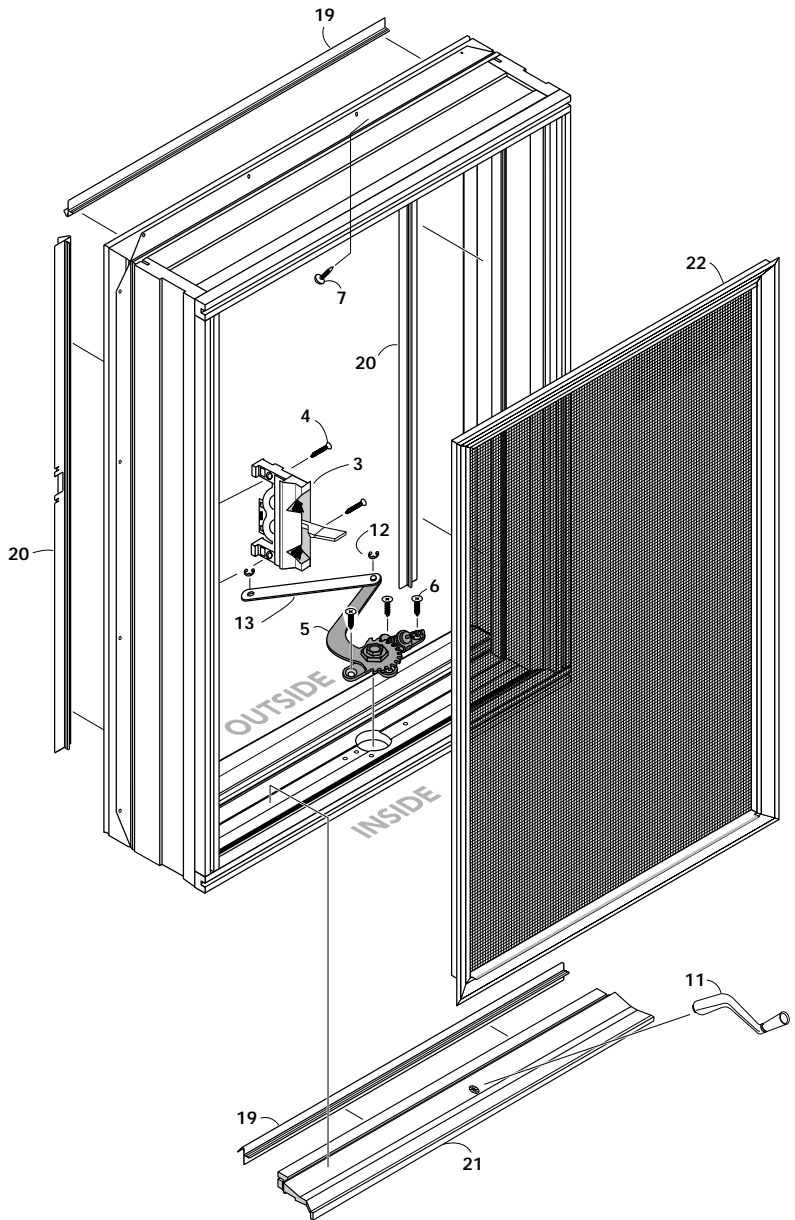
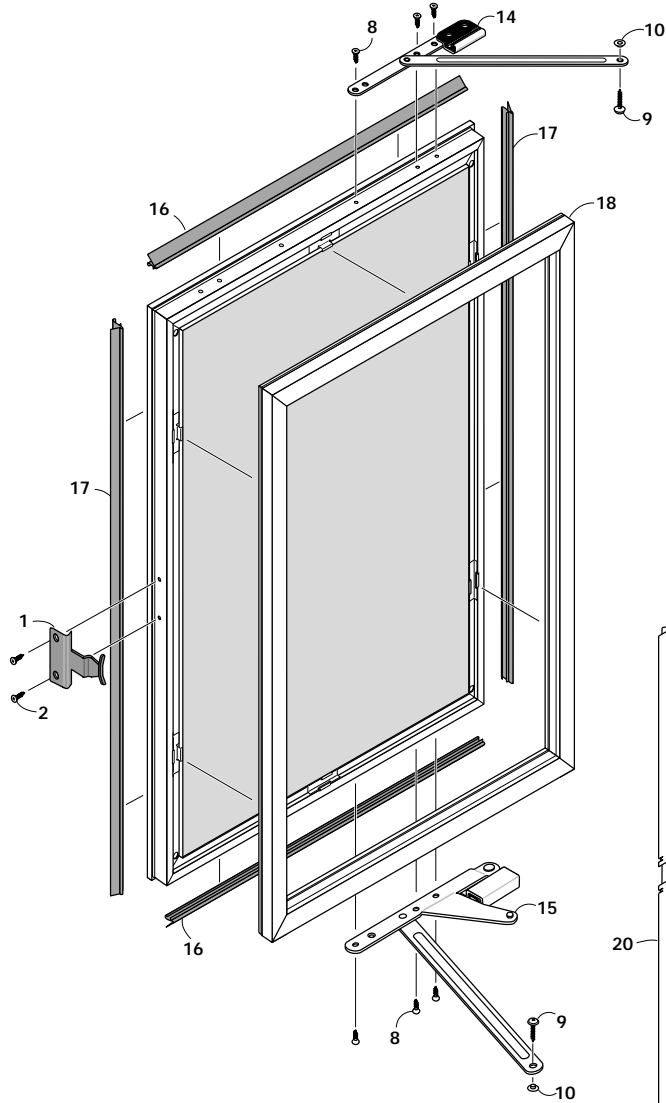


Casement Window .....	2
Awning Window .....	4
Casement Sizes .....	6
Awning Sizes .....	7

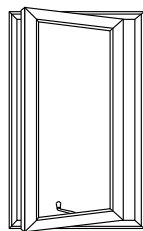
Notice: The replacement parts shown herein are for the Peachtree Ariel<sup>®</sup> Casement and Awning Windows, part of the Vintage<sup>™</sup> Collection. Ariel casement and awning windows can be identified by an aluminum clad exterior (Colonial White, Sand, Driftwood, Hunter Green or Nature Brown) and wood interior. These windows use concealed gearboxes and the casement has a single-lever lock latch. Ariel casement and awning windows use 3/4" insulated glass. When ordering replacement glass, please determine the manufacture date of your window unit (see manufacture date label inside insulated glass) so we can best meet your needs.

# Ariel® Casement Window

See page 6 to determine your window size.



Left Hand Casement



Right Hand Casement

UNITS VIEWED FROM OUTSIDE

# Ariel® Casement Window

Part Description		Part Number	Comments
1	Latch Keeper Kit	35170540	Kit includes Latch Strike
2	Latch Keeper Screw	39042009	#8x3/8" Flat Undercut Head, Phillips Self-Tapping (stainless steel)
3	Latch Kit	35178010	Kit includes Latch with screws (White); 35173010 (Driftwood)
4	Latch Screw	39042008	#8x3/4" Flat Head, Phillips Self-Tapping
5	Operator Kit	35170350	Kit includes Operator with screws
6	Operator Screw	39044005	#12x7/8" with #10 Flat Head, Phillips Self-Tapping
7	Hinge Stop Screw	39042506	#8x1/2" Pan Head, Phillips TEKS Self-Drilling
8	Hinge to Sash Screw	39042009	#8x3/8" Flat Undercut Head, Phillips Self-Tapping (stainless steel)
9	Hinge to Jamb Screw	39043701	#8x3/8" Flat Undercut Head, Phillips Self-Tapping (stainless steel)
10	Hinge to Jamb Screw Sleeve	35180400	Pivot Washer
11	Crank Handle	35173333	Pre-finished with set screw (White); 35170333 (Driftwood)
12	E-Ring	35170352	Snap ring connects drag link to hinge and operator
13	Drag Link	35170320	18" wide window
		35170318	24" wide window
		35170319	30"/36" wide window
See page 6 to determine width			
14	Top Hinge - Left Hand Kit	35170100	Kit includes left hand Top Hinge with screws
14	Top Hinge - Right Hand Kit	35170200	Kit includes right hand Top Hinge with screws
15	Bottom Hinge - Left Hand Kit	35170250	Kit includes left hand Bottom Hinge with screws
15	Bottom Hinge - Right Hand Kit	35170255	Kit includes right hand Bottom Hinge with screws
16	Horizontal Sash Weatherstrip Kit	3511...*	Kit includes top and bottom Sash Weatherstrip; *specify window width
17	Vertical Sash Weatherstrip Kit	3511...*	Kit includes right hand and left hand Sash Weatherstrip; *specify window height
18	PVC Sash Liner	RCSSL.*	*Specify window size and color (White or Driftwood)
19	Horizontal Jamb Weatherstrip Kit	351082...*	Kit includes top and bottom Jamb Weatherstrip; *specify window width
20	Vertical Jamb Weatherstrip Kit	351083...*	Kit includes right hand and left hand Sash Weatherstrip; *specify window height
21	Wood Sill Cover	RCSSSL.*	*Specify window size and finish (White or Driftwood)
22	Exterior Screen	0517...*	*Specify window size and finish (White, Driftwood or Brown)

- NOTES: - See page 6 to determine window size and handing.  
 - Standard size/type screws can be purchased from your local hardware store.
- EGRESS CODE HARDWARE (adds increased ft<sup>2</sup> of opening to 30"/36" wide units)
- |                           |          |
|---------------------------|----------|
| Top Hinge (left hand)     | 35170260 |
| Top Hinge (right hand)    | 35170265 |
| Bottom Hinge (left hand)  | 35170270 |
| Bottom Hinge (right hand) | 35170275 |
- See page 6 to determine handing (left hand/right hand).

**GLASS TYPES:** Check the glass identification label on the spacer between glass surfaces to determine your glass type.

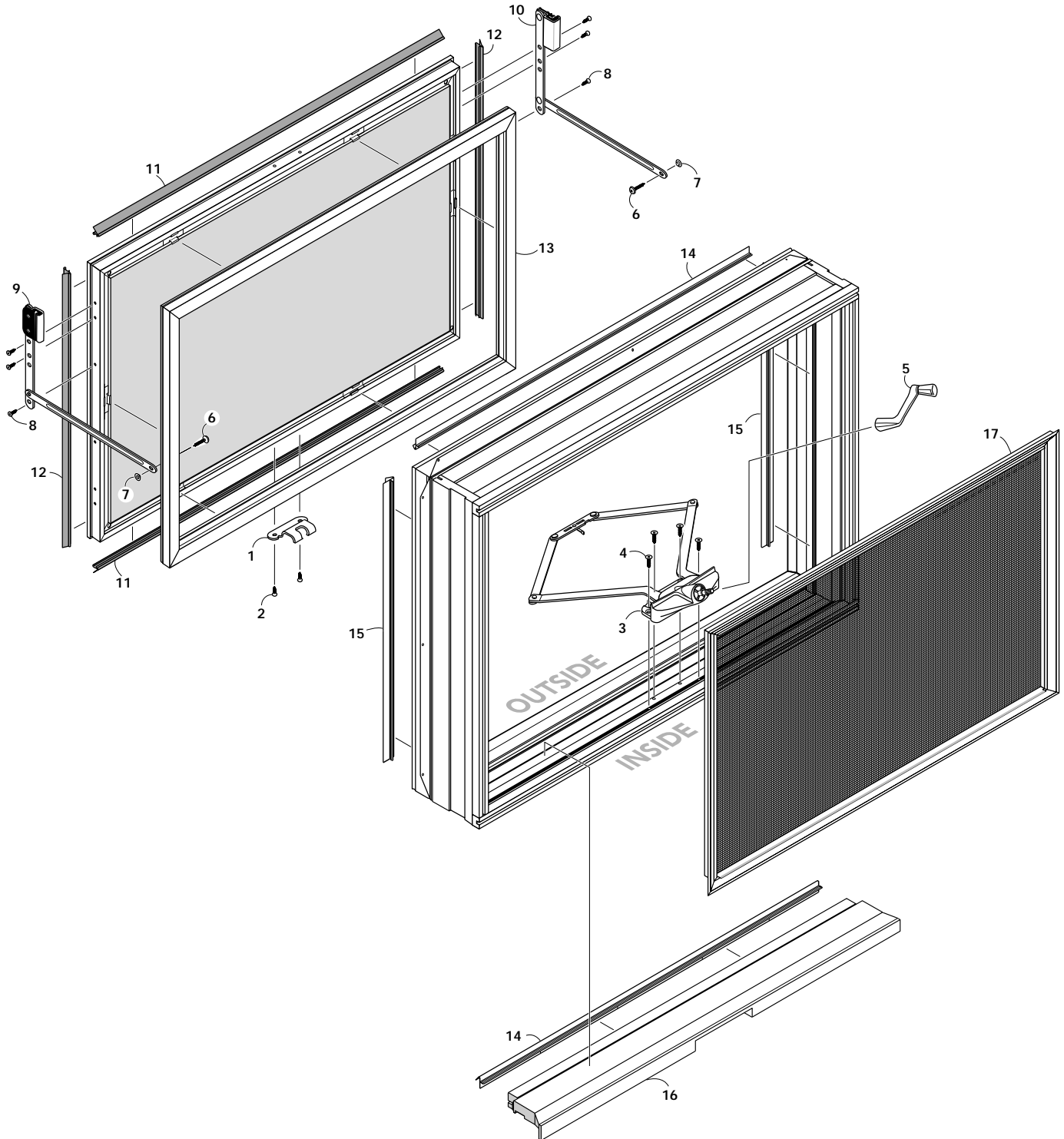
**IF YOU ARE UNSURE OF THE TYPE OF GLASS IN YOUR WINDOW, OR IF THE GLASS IDENTIFICATION LABEL IS FOR A TYPE NOT LISTED, PLEASE CONTACT YOUR LOCAL AUTHORIZED PEACHTREE DEALER TO DETERMINE YOUR GLASS TYPE.**

- |                                   |  |
|-----------------------------------|--|
| CA = Twinsul Clear, Annealed      | CAE = Clear Annealed Low-E Glass         |
| CT = Twinsul Clear, Tempered      | CTE = Clear Tempered Low-E Glass         |
| CAO = Obsure Clear, Annealed      | CAOE = Obsure Clear Annealed Low-E Glass |
| CTO = Obsure Clear, Tempered      | CTOE = Obsure Clear Tempered Low-E Glass |
| BA = Twinsul Bronze Tint Annealed | BAE = Bronze Annealed Low-E Glass        |
| BT = Twinsul Bronze Tint Tempered | BTE = Bronze Tempered Low-E Glass        |
| GA = Grey Tint, Annealed          | GAE = Grey Annealed Low-E Glass          |
| GT = Grey Tint, Tempered          | GTE = Grey Tempered Low-E Glass          |
| TG = Turtle Glass, Annealed       |  |
| TGT = Turtle Glass, Tempered      |  |

To order replacement parts, contact your local Peachtree Dealer or call 1-800-PEACH99.

# Ariel® Awning Window

See page 7 to determine  
your window size.



# Ariel® Awning Window

Part Description		Part Number	Comments
1	Operator Keeper Kit	35580020	Awning Operator Sash Keeper
2	Operator Keeper Screw	39042505	#8x3/8" PH Pan Head "A" "CRP"
3	Operator Kit	See Notes	(order per window width) Operator
4	Operator Screw	39043008	#10x1" Flat Head, Phillips Self-Tapping
5	Crank Handle	35573334	Pre-finished with set screw (White); 35570334 (Driftwood)
6	Hinge to Jamb Screw	39043701	#10x3/4" PH Tr Head "A" "CRP"
7	Hinge to Jamb Screw Sleeve	35180400	Pivot Washer
8	Hinge to Sash Screw	39042009	#8x3/8" Flat Undercut Head, Phillips Self-Tapping (stainless steel)

Part Description		Part Number	Comments
9	Hinge - Right Hand Kit	35170200	Kit includes right hand Hinge with screws
10	Hinge - Left Hand Kit	35170100	Kit includes left hand Hinge with screws
11	Horizontal Sash Weatherstrip Kit	351182...*	Kit includes top and bottom Sash Weatherstrip; *specify window width
12	Vertical Sash Weatherstrip Kit	351182...*	Kit includes right hand and left hand Sash Weatherstrip; *specify window height
13	PVC Sash Liner	RCSSL.*	*Specify window size and color (White or Driftwood)
14	Horizontal Jamb Weatherstrip Kit	351082...*	Kit includes top and bottom Jamb Weatherstrip; *specify window width
15	Vertical Jamb Weatherstrip Kit	351088...*	Kit includes right hand and left hand Jamb Weatherstrip; *specify window height
16	Wood Sill Cover	RASSSL.*	Stain Grade wood; *specify window width
17	Exterior Screen	0557...*	*Specify window size and finish (White, Driftwood or Brown)

NOTES: - See page 7 to determine window size and handing.  
 - Standard size/type screws can be purchased from your local hardware store.

- OPERATOR KITS (roto-gear mechanism and scissor-type hardware)

24"/30" wide window	(White)	35570350
36"/40"/48"	(White)	35573355
24"/30" wide window	(Driftwood)	35570350
36"/40"/48"	(Driftwood)	35570355
24"/30" wide window	(Sand)	
36"/40"/48"	(Sand)	
24"/30" wide window	(Hunter Green)	
36"/40"/48"	(Hunter Green)	
24"/30" wide window	(Nature Brown)	
36"/40"/48"	(Nature Brown))	

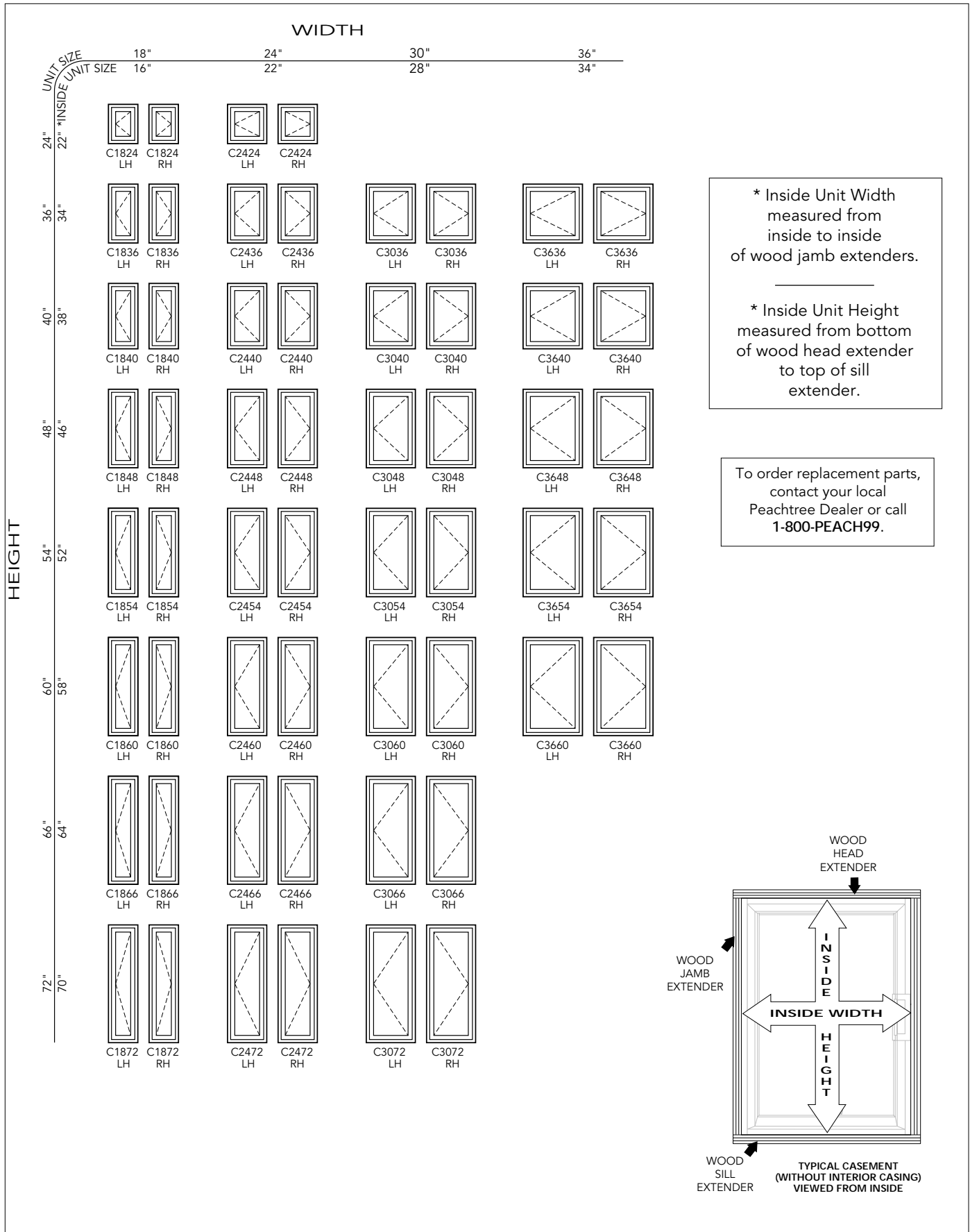
GLASS TYPES: Check the glass identification label on the spacer between glass surfaces to determine your glass type.

**IF YOU ARE UNSURE OF THE TYPE OF GLASS IN YOUR WINDOW, OR IF THE GLASS IDENTIFICATION LABEL IS FOR A TYPE NOT LISTED, PLEASE CONTACT YOUR LOCAL AUTHORIZED PEACHTREE DEALER TO DETERMINE YOUR GLASS TYPE.**

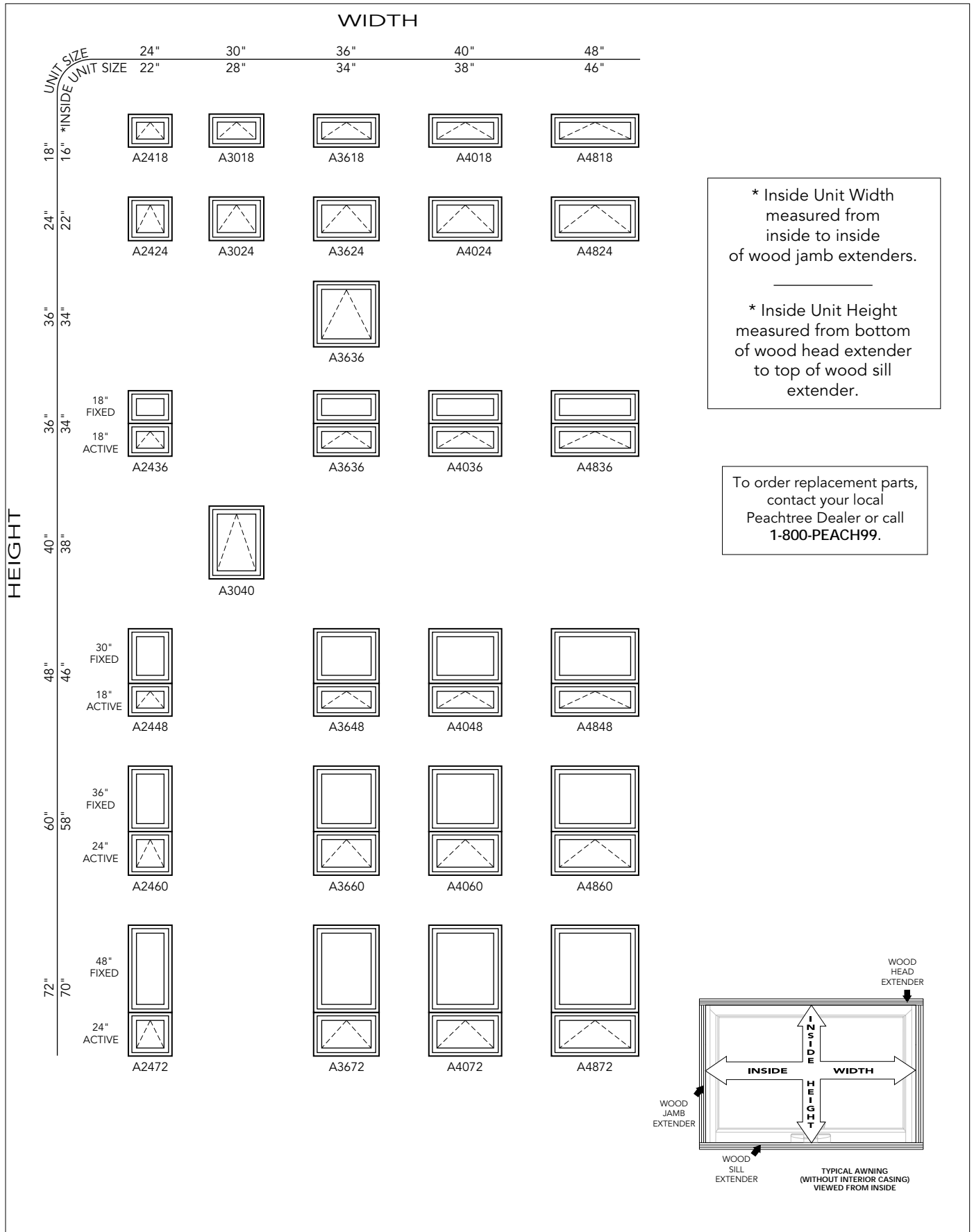
CA = Twinsul Clear, Annealed	CAE = Clear Annealed Low-E Glass
CT = Twinsul Clear, Tempered	CTE = Clear Tempered Low-E Glass
CAO = Obscure Clear, Annealed	CAOE = Obscure Clear Annealed Low-E Glass
CTO = Obscure Clear, Tempered	CTOE = Obscure Clear Tempered Low-E Glass
BA = Twinsul Bronze Tint Annealed	BAE = Bronze Annealed Low-E Glass
BT = Twinsul Bronze Tint Tempered	BTE = Bronze Tempered Low-E Glass
GA = Grey Tint, Annealed	GAE = Grey Annealed Low-E Glass
GT = Grey Tint, Tempered	GTE = Grey Tempered Low-E Glass
TG = Turtle Glass, Annealed	
TGT = Turtle Glass, Tempered	

To order replacement parts, contact your local Peachtree Dealer or call 1-800-PEACH99.

# Ariel® Casement Window



# Ariel® Awning Window





© 1999 Peachtree Doors and Windows, Inc., P.O. Box 5700, Norcross, GA 30091  
Ariel™ is a trademark of Peachtree Doors and Windows, Inc.  
We reserve the right to make changes in design, materials and specifications as well as to discontinue products without notice. 11-99  
[www.peach99.com](http://www.peach99.com)

P/N 01001168